

# FLASH XXL GIESSE

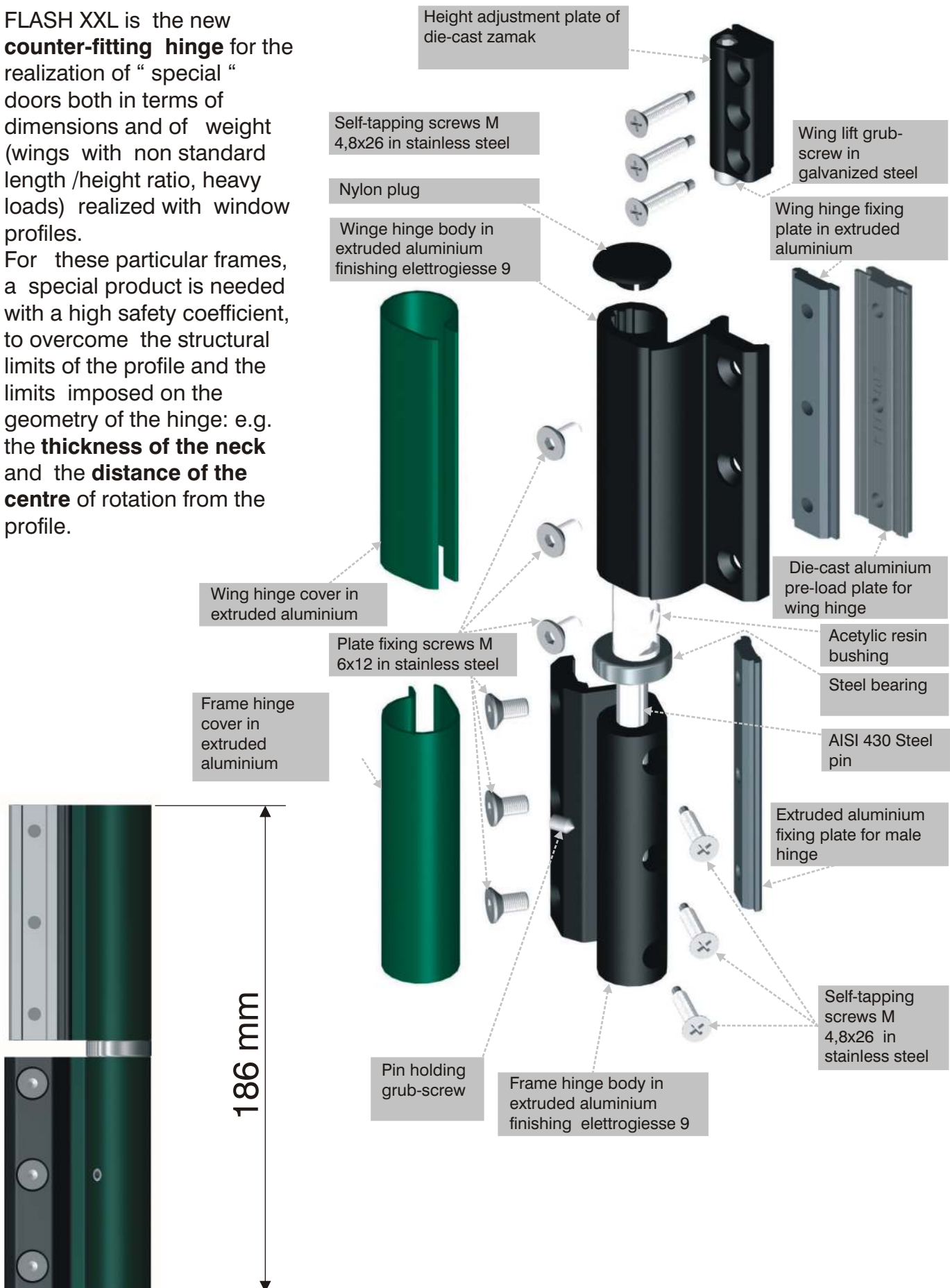


The highly performing  
counter-fitting hinge

## High performances and safety

FLASH XXL is the new **counter-fitting hinge** for the realization of “ special “ doors both in terms of dimensions and of weight (wings with non standard length /height ratio, heavy loads) realized with window profiles.

For these particular frames, a special product is needed with a high safety coefficient, to overcome the structural limits of the profile and the limits imposed on the geometry of the hinge: e.g. the **thickness of the neck** and the **distance of the centre** of rotation from the profile.



## Advantages

### Reliability and safety

With the aim of increasing the mechanical resistance of the MX hinge neck and obtaining the max. safety of the profile fixing, the frame hinge is fixed to the frame with **three self-tapping screws (1)** which pass through the hinge body.

### Performances

FLASH XXL enables a **160 kg load capacity** tested in comply with the standard **En1935 class 14**.

### No profile machining

No type of machining is necessary for the assembly of FLASH XXL, that requires only traditional fit in fixing plates.

### Customisation and design

Cover, available in the finishing RAL Base and **Base Primer** can be customized according to the client needs.

### Easy and quick adjustments

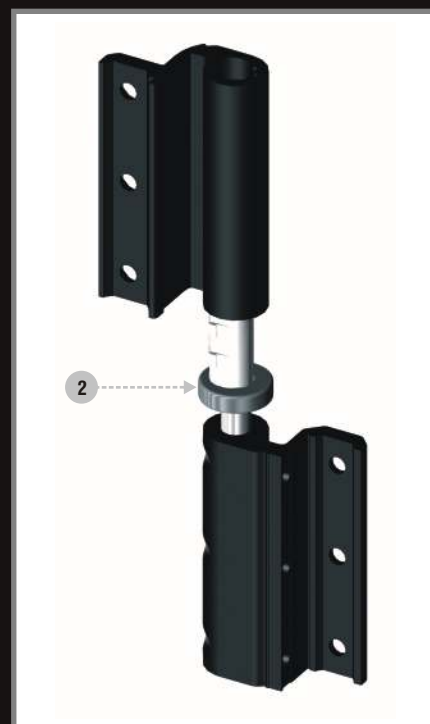
Height ( $0 \div 4$  mm) and side ( $\pm 1$  mm) adjustment of FLASH XXL can be easily carried out after door installation.

### Smoother sliding

The use of a **thrust bearing (2)** between the wing and frame parts of the hinge provides a smoother sliding action and reduces wear due to friction.



Fixing of the frame hinge to the profile



Thrust bearing reducing wear due to friction.

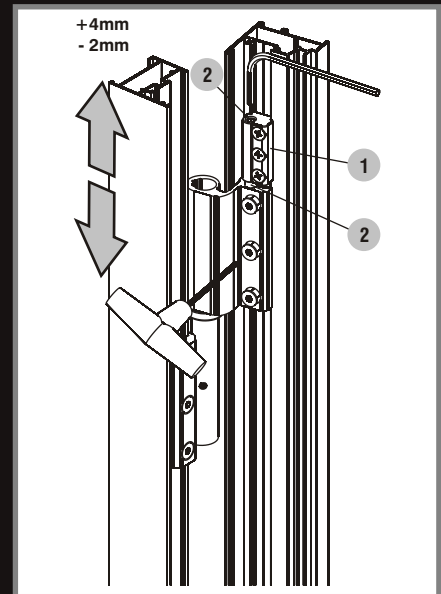
## Simple and quick adjustments

### Height adjustment 0 ÷ 4 mm

The **height adjustment** system of FLASH XXL comprises a small plate (1) fitted on the wing, in correspondence of the wing hinge body.

The wing is raised by adjusting the grub-screw (2), using a 4 mm Allen key.

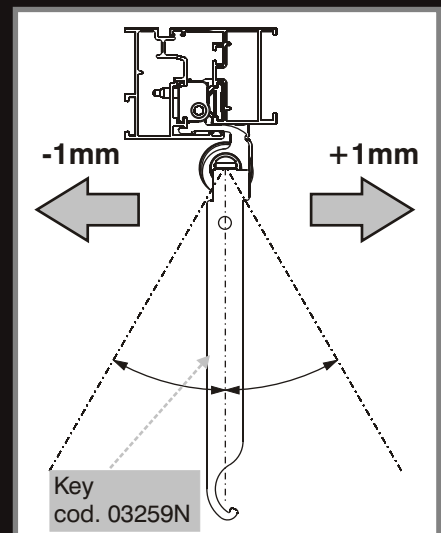
**This is particularly useful when adjusting heavy doors.**



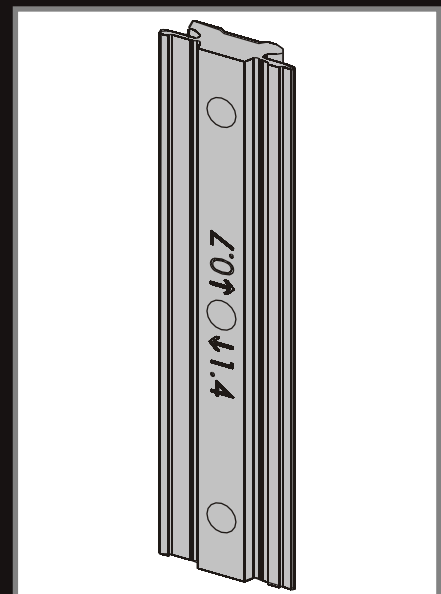
### Side adjustment

± 1 mm

The **side adjustment** of FLASH XXL can be carried out using an eccentric bushing on the wing side hinge with the proper key **03259N**



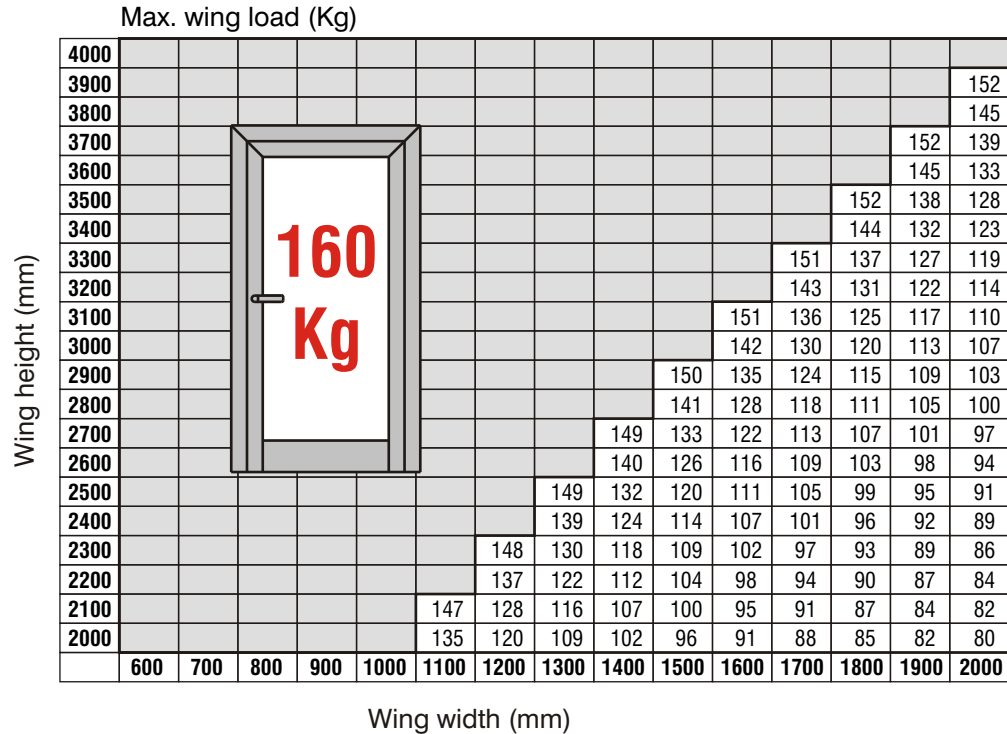
In order to increase the side adjustment FLASH XXL is equipped with a special plate (**preload**), placed in the wing slot in the position of the bottom wing hinge, forcing the inclination of the door in direction opposite to the natural wing fall. The preload plate has two different **preload dimensions** (that can be identified thanks to the marking on the plate):  
**1,4 mm** ( ← 1,4) for the lower hinge  
**0,7 mm** ( ← 0,7) for the eventual central hinge.



# Feasible dimensions and load capacities

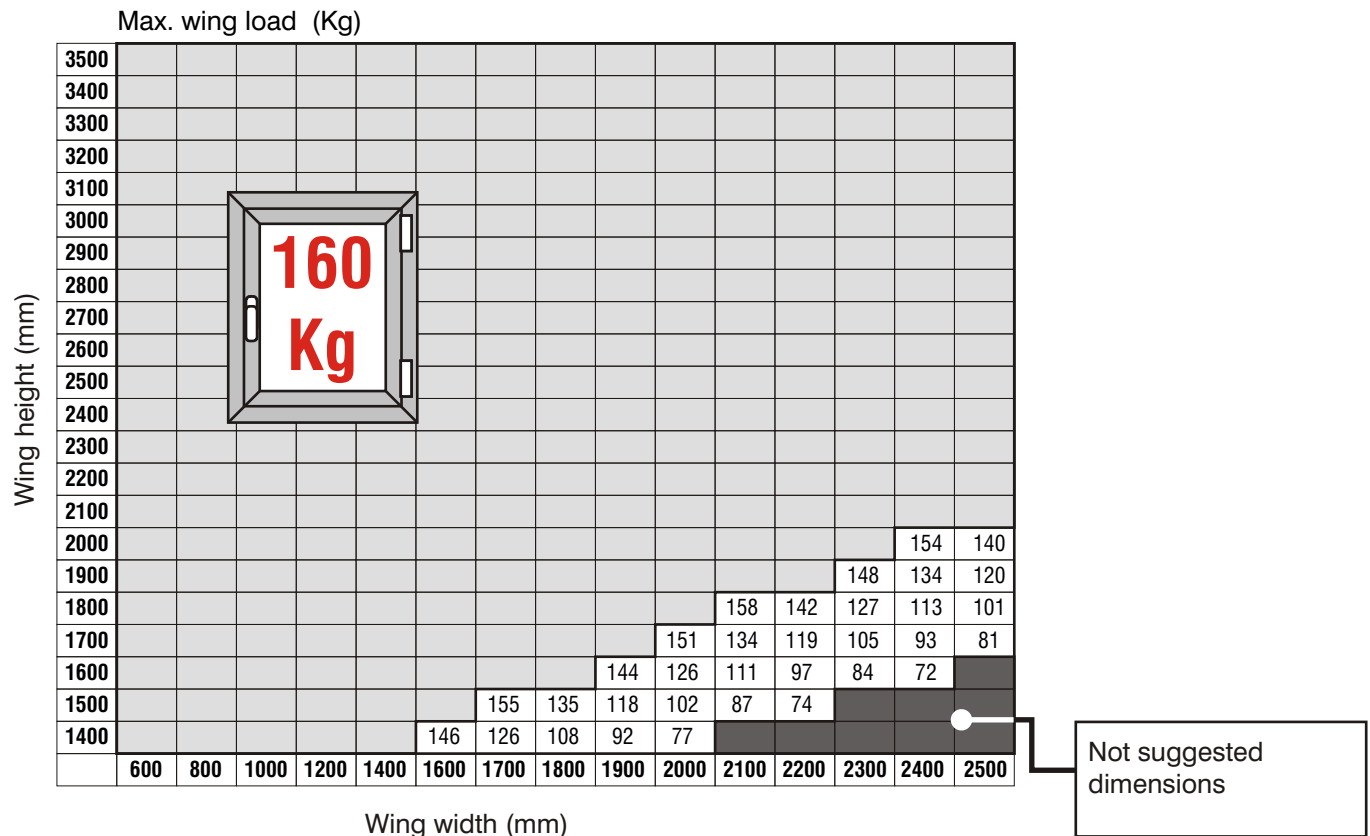
## Door diagram

(Tested in comply with the standard EN 1935:2002 250.000 cycles with intensive use )



## Window diagram

(Tested in comply with the standard EN 13126-8 point 1 25.000 cycles with not intensive use)



## Performances

**Load capacity up to 160 kg in comply with the standard EN1935.**

### Cycle duration test

The door is subjected to **200.000** opening and closing cycles with a load of **160 kg** at the end of which the hinges deformations must be included in the preset range. The door is then subjected to 5 opening and closing cycles with a load of **480 kg** at the end of which the hinge must not show any sign of stress or decay.

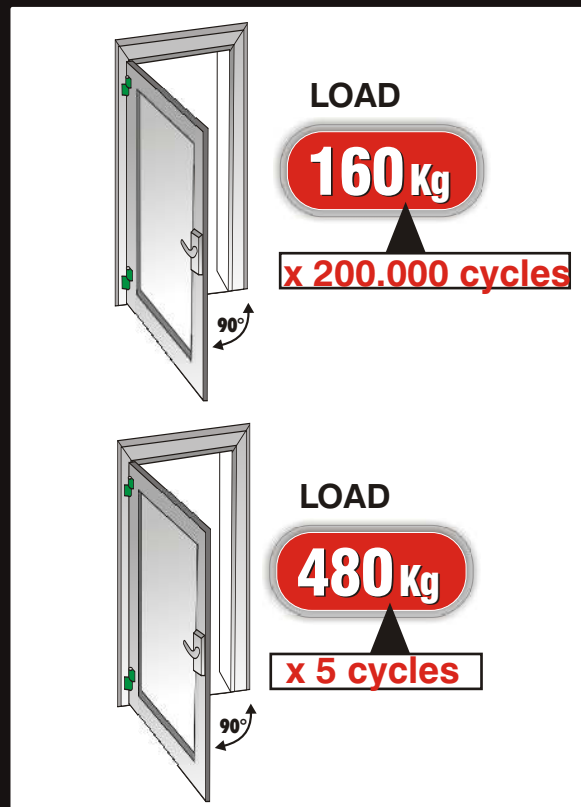
### Static load test

The door is subjected to a total load equal to 2 times the max load capacity declared for the hinge (**320 kg for DOMINA HP**). After 20 opening-closing cycles the values of the hinge shifting from a fixed reference point are measured. The initial weight (**160 Kg for Domina HP**) is brought onto the wing and the residual strain values are measured.

### Overload test

The door is subjected to a total load equal to 3 times the max load capacity declared for the hinge (**480 kg for DOMINA HP**).

At the end of the test the hinge must not show any sign of stress decay.

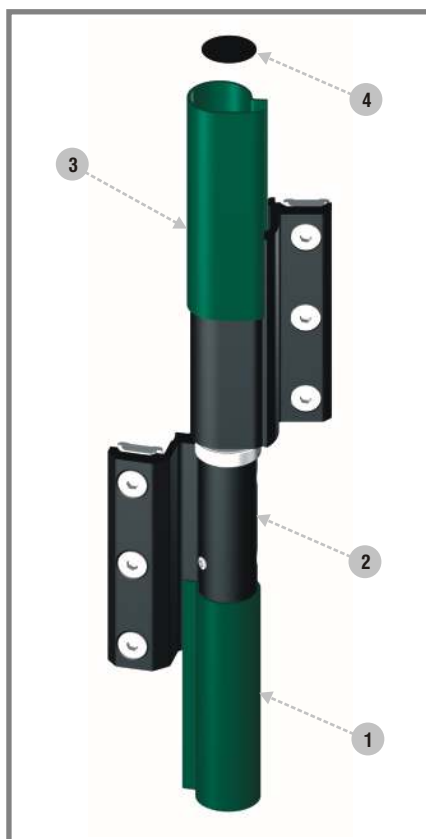


## Customisation

**FLASH XXL** is complete with frame MX and wing FM covers in extruded aluminium that can be painted according to the customer's needs.

The **MX cover** (1) is fastened with a **grub-screw** (2) which also locks the pin in place, while the **FM cover** (3) is held in place by the snap fitting upper **plug** (4). The upper plug is designed so that it is never eccentric to the extruded part even after side adjustment.

**Apply the cover after installation, thus avoiding the damaging of the components at sight during the assembly, transport and installation.**



ARTICLE	 PCS. X PACK.	MIN. SALES QUANTITY
<b>00598</b> DOOR HINGE FLASH XXL	20	2 PCS
<b>00599</b> KIT COVER HINGE FLASH XXL	20 kit*	2 Kit
<b>00591</b> XXL PRELOAD PLATES PACKING	10 kit	10 Kit
<b>03259N</b> SIDE ADJUSTMENT KEY	10	1 PC.

**\*Warning: Two separate orders must be placed for HINGE and HINGE COVER.  
Kit = 1 WING COVER + 1 FRAME COVER**

**GSG INTERNATIONAL S.p.A.  
OVERSEAS DIVISION**

Via Leonardo Da Vinci, 320/414  
40060 z.i. Fossatone - Medicina  
Bologna - Italy

Tel. +39/051/8850677

Fax +39/051/8850203

e-mail: [contactus@giessegroup.com](mailto:contactus@giessegroup.com)



 **GIESSE**<sup>®</sup>  
[www.giesse.it](http://www.giesse.it)



B4790000/12-2005